



Joint International Conference  
**Remembering and Re-evaluating Mahatma Gandhi on his 150<sup>th</sup> Birth Anniversary**  
 Department of English, KSKV Kachchh University, Bhuj  
 And  
 CoHaB Indian Diaspora Centre, University of Mumbai, Mumbai  
 8-9 February 2019

**Day 1: KSKV University, Bhuj, 8<sup>th</sup> February 2019**

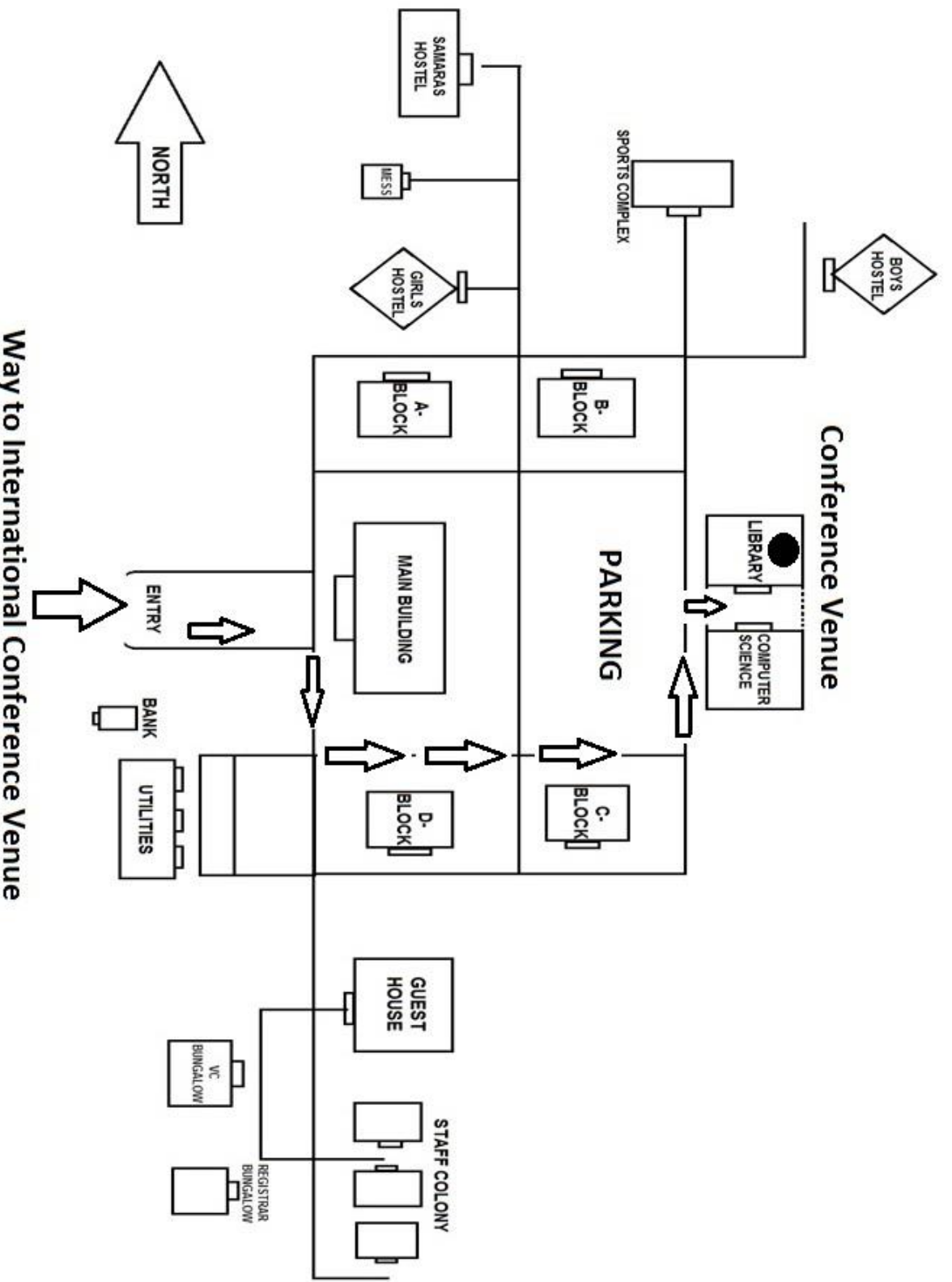
Time	Event
9:00a.m-10:00a.m	Registration
10:00a.m-11:30a.m	<p style="text-align: center;"><b><u>Inaugural session</u></b></p> <p><b><u>Live Painting of Mahatma Gandhiji by Shri Bipin Soni</u></b>  <b><u>Live Singing: 'Vaishnav Jan' by Kamlesh Solanki</u></b></p> <p>Welcome: <b>Kashmira Mehta, KSKV Kachchh University, Bhuj</b>            (5 mts each = 10 mts)            Introductory: <b>Dr. Darshanaben Dholakia, I/C Vice Chancellor, KSKV University, Bhuj</b> (10 mts)            Guest of Honour: <b>Shri Kantisen Shroff, Founder Trustee, Shrujan Trust</b>            (10 mts)            Inaugural Address: <b>Shri Pheroze Nowrojee, Human Rights Lawyer and Author, Nairobi, Kenya</b>            Assessing Gandhi in the Kenya Campaign for Equal Rights 1919 - 1929: Constant Gandhian Themes (25 mnts)            Vote of Thanks: <b>Dr. Mahesh Thacker, I/C Registrar.</b> (5 mnts)</p>
11:30a.m – 12:00 p.m	Tea Break
12:00a.m-12:40p.m  12:40p.m-01:20p.m	<p style="text-align: center;"><b><u>Keynote Session I p</u></b></p> <p style="text-align: center;"><b>Chair: Dr. R. V. Basiya Associate Professor, Department of English, KSKV Kachchh University, Bhuj</b>  <b>Kanya Padyachee, Project Coordinator, Gandhi Development Trust, Durban University of Technology, KwaZulu-Natal, South Africa</b>            Relevance of Gandhi 150 years after his birth</p> <p><b>Siby Joseph, Dean of Studies and Research, Institute of Gandhian Studies, Wardha</b>            Contribution of Lanza del Vasto in Spreading the Message of Gandhi in the Western Society</p>
01:20p.m-2:15p.m	Lunch

2:30p.m-2:55p.m	<b>Keynote Session II</b> <b>Chair: Haresh Dholakia, Writer and Columnist</b> <b>Vibhuti Patel, Professor, Advanced Centre for Women's Studies, Tata Institute of Social Sciences, Mumbai</b> Satyagraha as a Peaceful Method of Conflict Resolution
2:55p.m-3:35p.m	<b>Pushpa Motiyani, Head (Retd.), Department of Gandhian Philosophy, Gandhian Study and Peace Research, Gujarat Vidyapith</b> Gandhian Nonviolence in 21 <sup>st</sup> Century
3:35p.m-3:45p.m	Tea break
3:45p.m-4:25p.m	<b>Keynote Session III</b> <b>Chair: Vibhuti Patel, Professor, Advanced Centre for Women's Studies, Tata Institute of Social Sciences, Mumbai</b> <b>Roxanna Marinescu, The Bucharest University of Economic Studies, Bucharest, Romania</b> Glocalising Gandhi
4:25p.m-05:05p.m.	<b>Somdatta Mandal, Professor of English, Visva-Bharati University, Shantiniketan</b> The 'Mahatma' and the 'Gurudev': Gandhi, Tagore and Santiniketan
7:15p.m.	Cultural Event by students of K.S.K.V. Kachchh University
8:15p.m.	Banquet

**Day 2: KSKV University, 9<sup>th</sup> February 2019**

Time	Event
10:00a.m-10:40a.m	<b>Keynote Session IV</b> <b>Chair: Dr. Kashmira Mehta, Head, Department of English, KSKV Kachchh University, Bhuj</b> <b>Nishikant Kolge, Centre for the Study of Developing Societies, Delhi</b> How to Understand Life and Philosophy of Gandhi - Some Suggestions
10:40a.m-11:10a.m	<b>Prem anand Mishra, Head and Dean, Department of Gandhian Philosophy, Gandhian Study and Peace Research, Gujarat Vidyapith</b> Gandhi, Self and the Others Action as Responsibility
11:10a.m-11:30a.m	Tea break
11:30a.m-1:00a.m	<b>Parallel Sessions</b> Chairs: ..... Parallel Sessions with 10 papers per session of 10 mts each with 30mts for joint discussion on all the papers in each parallel session
1:00p.m-1:045p.m	Lunch

1:00p.m-2:25p.m	<p style="text-align: center;"><b><u>Keynote Session V</u></b></p> <p style="text-align: center;"><b>Chair: Somdatta Mandal, Professor of English, Visva-Bharati University, Shantiniketan</b></p> <p><b>Sooshilla Gopaul, Open University, Mauritius</b> Impact of Gandhi Ji in Mauritius</p>
2:25p.m-3:05p.m	<p><b>Vijay Kumar, Director, Gujarat Institute of Desert Ecology, Bhuj</b> Gandhi's Thoughts on the Environment</p>
03:05p.m-3:20p.m	Tea Break
3.20p.m-4.50 p.m.	<p style="text-align: center;"><b><u>Valedictory Session</u></b></p> <p>Chair: <b>Dr. Kanti Gor (Former Vice Chancellor, K S K V Kachchh University. (15 mts)</b></p> <p>Valedictory Speaker: <b>Ramesh Sanghavi, Writer, Editor and President Swajan Trust, Bhuj</b> The Foundation of Gandhiji's Life and Philosophy (40 mts)</p> <p>Guest of Honour: <b>Dr. C. B. Jadeja (Former Vice Chancellor, K S K V Kachchh University. (15 mts)</b></p> <p>Delegates feedback: ..... (20 mts)</p> <p>Concluding Remarks: <b>Dr. Kashmira Mehta</b></p> <p>Vote of Thanks: <b>Dr. Mahesh Thacker (I/C Registrar)</b></p>



Way to International Conference Venue